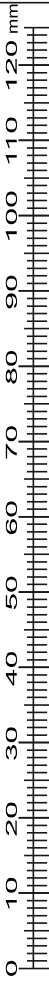
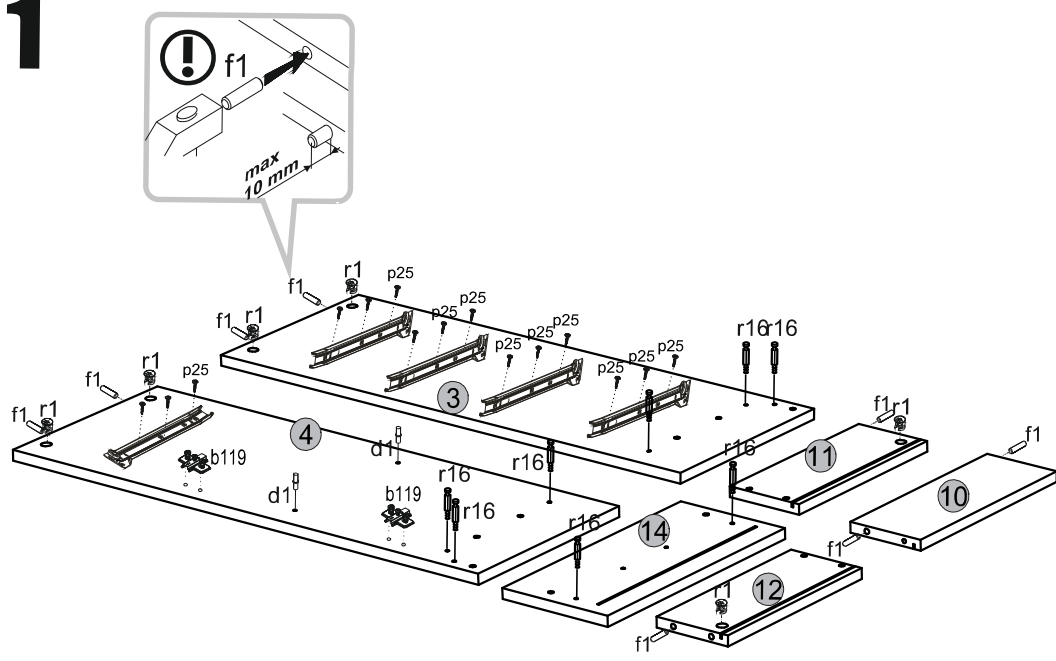
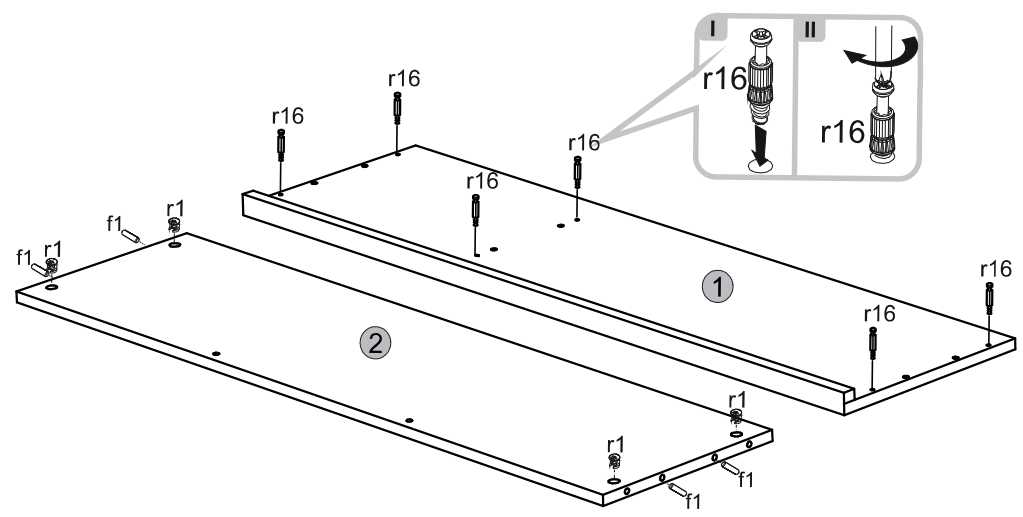
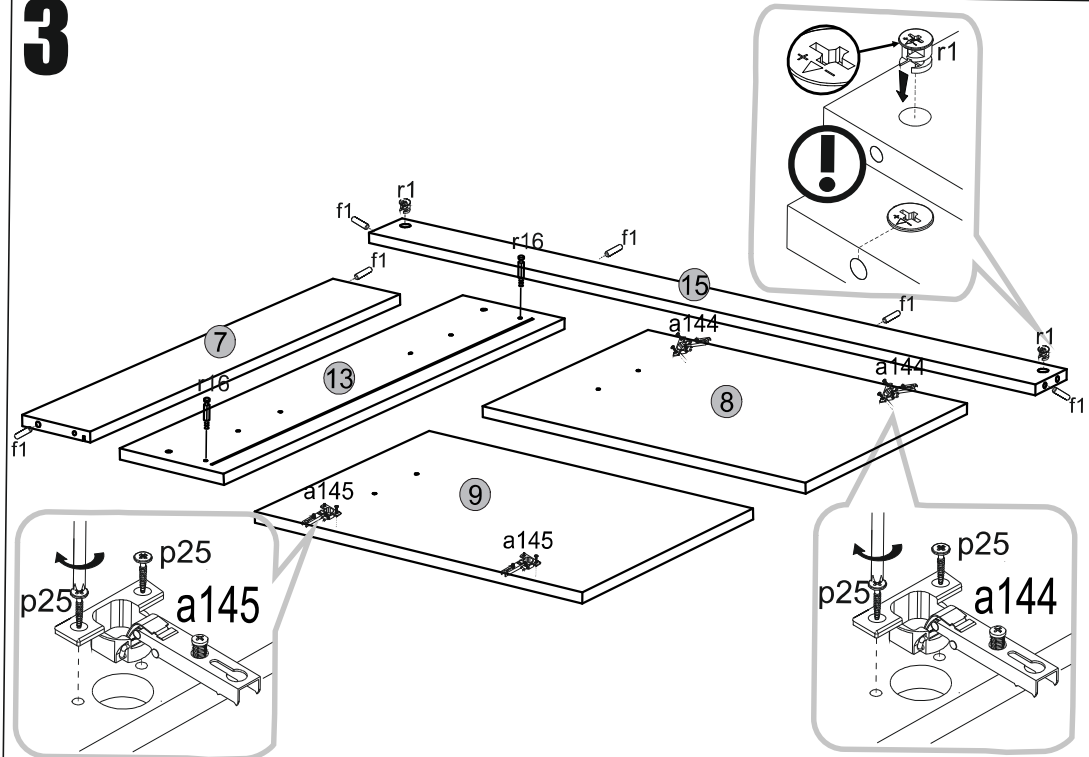
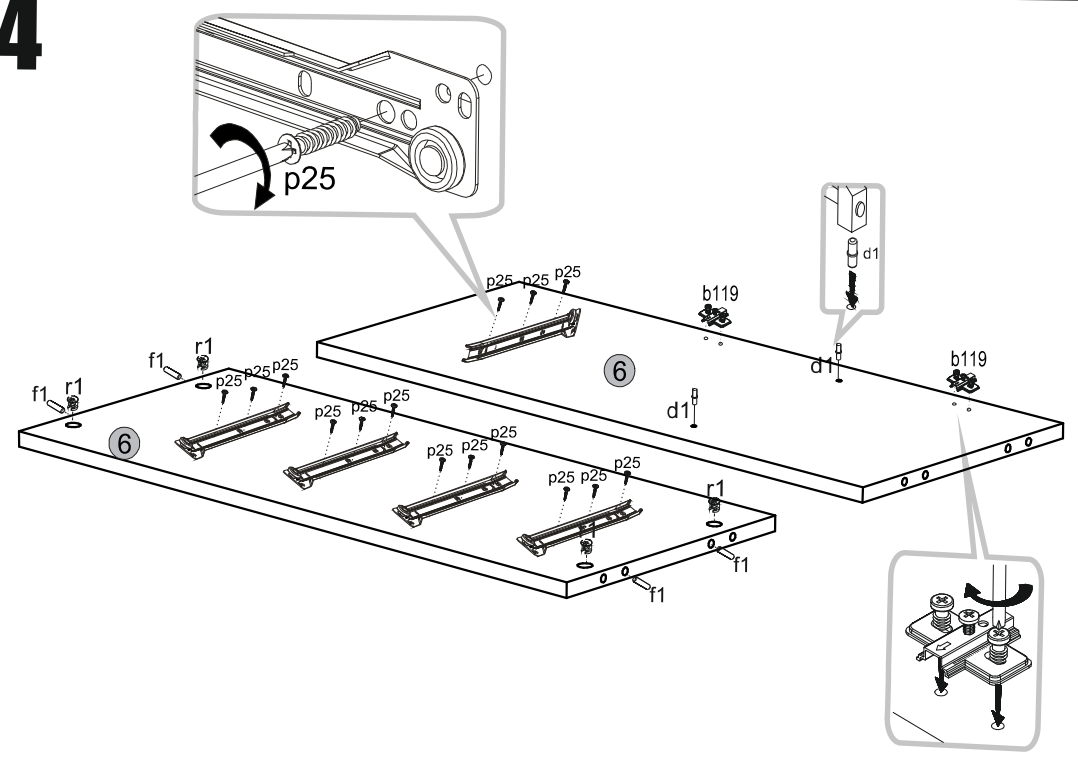


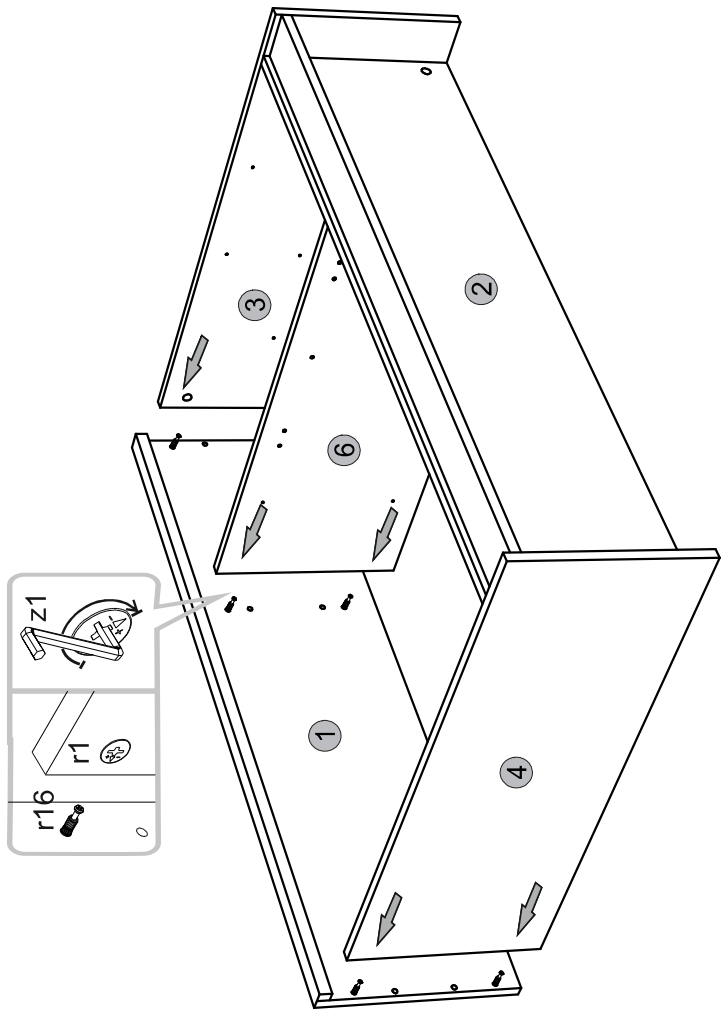
| Element symbol | Dimensions | Code | Package |
|----------------|----------------|-------|---------|
| 1 | 1200 330 16/32 | T-202 | 1/1 |
| 2 | 1166 310 16 | T-306 | 1/1 |
| 3 | 829 310 16 | T-102 | 1/1 |
| 4 | 829 310 16 | T-101 | 1/1 |
| 5 | 772 310 16 | T-307 | 1/1 |
| 6 | 733 310 16 | T-125 | 1/1 |
| 7 | 715 120 16 | T-505 | 1/1 |
| 8 | 546 396 16 | T-001 | 2/2 |
| 9 | 546 396 16 | T-004 | 2/2 |
| 10 | 321 120 16 | T-506 | 1/1 |
| 11 | 300 120 16 | T-504 | 1/1 |
| 12 | 300 120 16 | T-503 | 1/1 |
| 13 | 794 180 16 | T-003 | 2/2 |
| 14 | 396 180 16 | T-002 | 2/2 |
| 15 | 1166 80 16 | T-402 | 1/1 |
| 16 | 760 395 3 | T-601 | 2/2 |
| 17 | 729 298 3 | T-603 | 1/1 |
| 18 | 335 298 3 | T-604 | 1/1 |

| | | | | | |
|-----|--|-----|--|-----|--|
| 1x | | 16x | | 70x | |
| 1x | | 8x | | 24x | |
| 36x | | 10x | | 5x | |
| 10x | | 73x | | 2x | |
| 2x | | 4x | | 1x | |
| 4x | | 1x | | | |
| 1x | | 1x | | | |

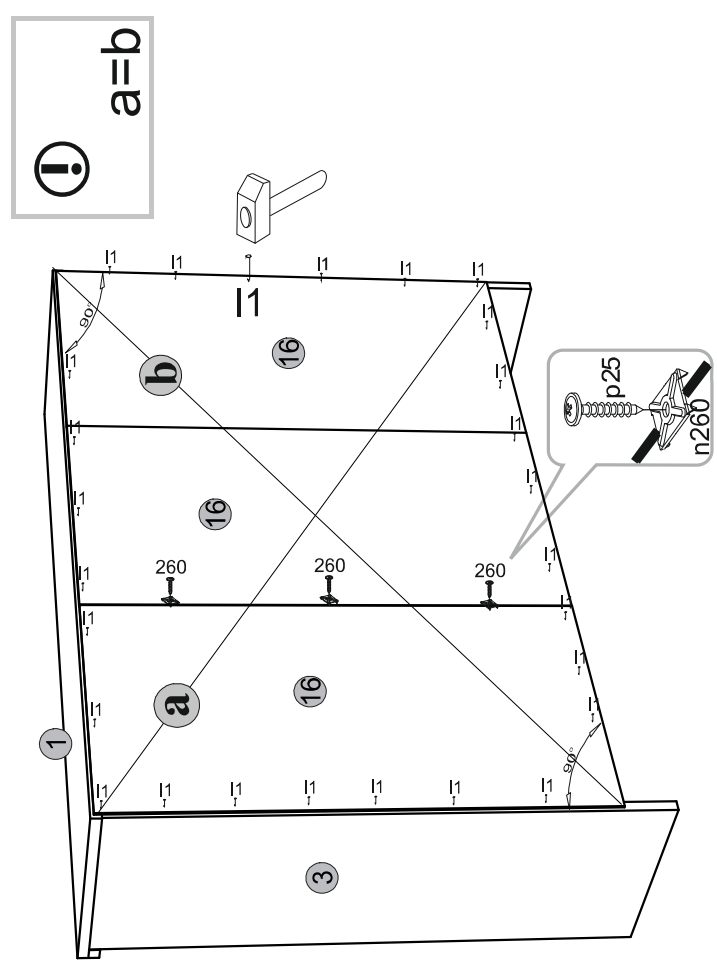


1**2****3****4**

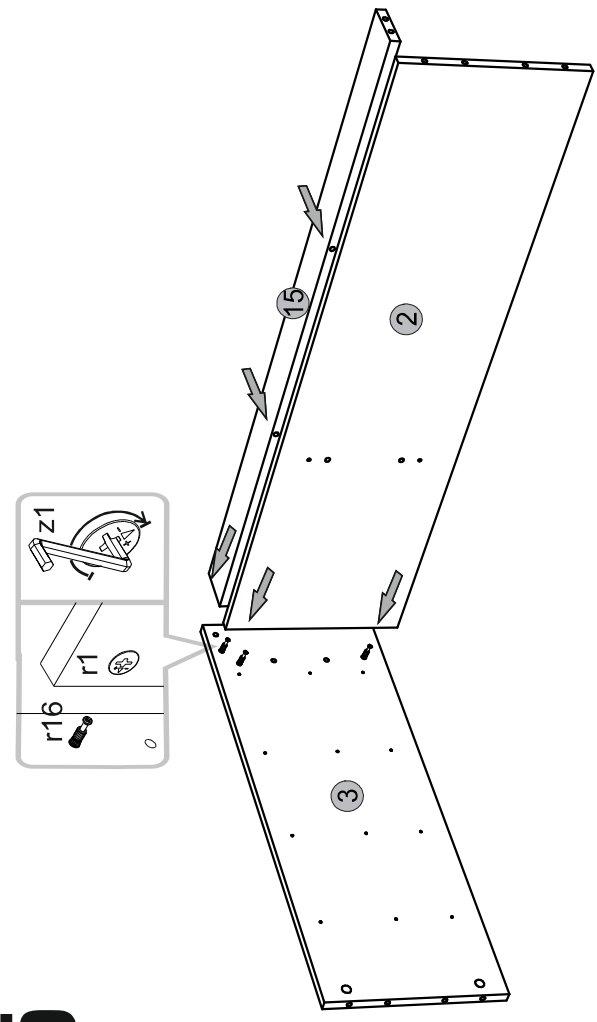
7



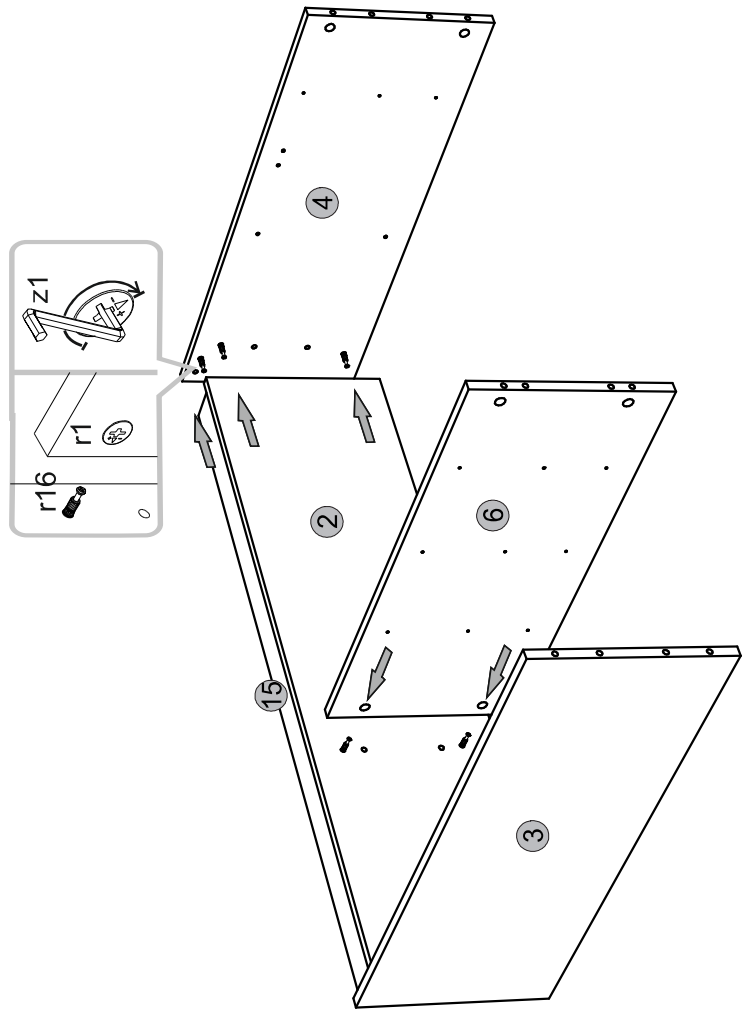
8



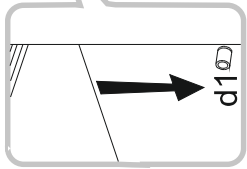
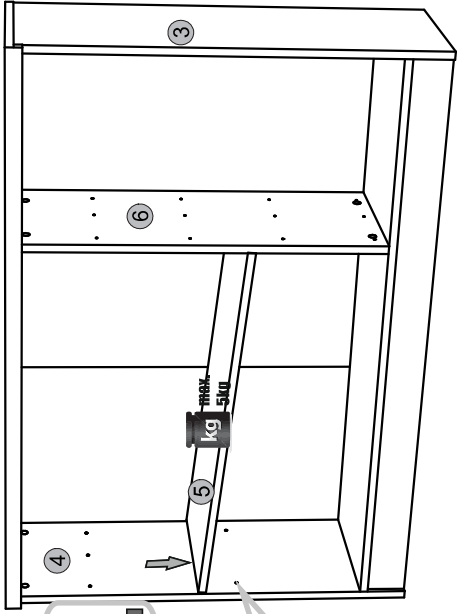
5



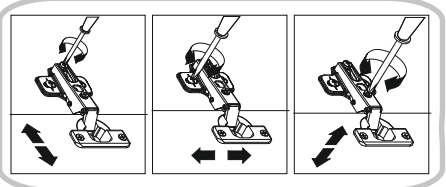
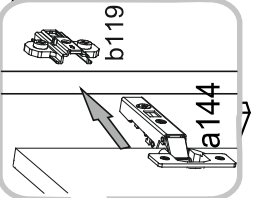
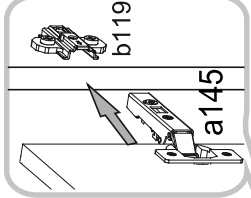
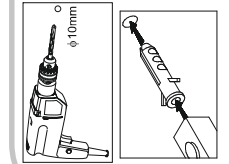
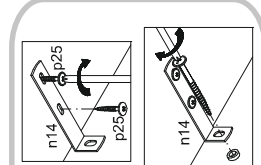
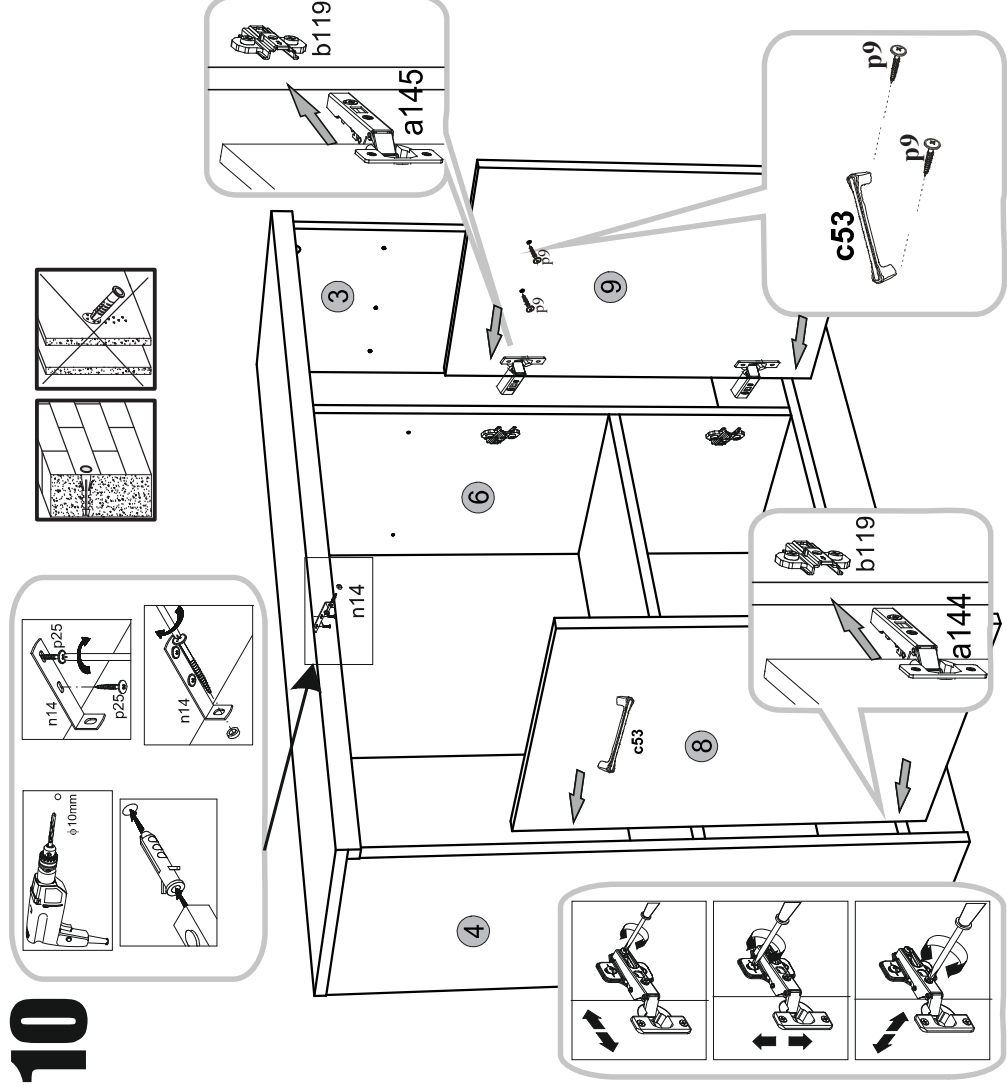
6



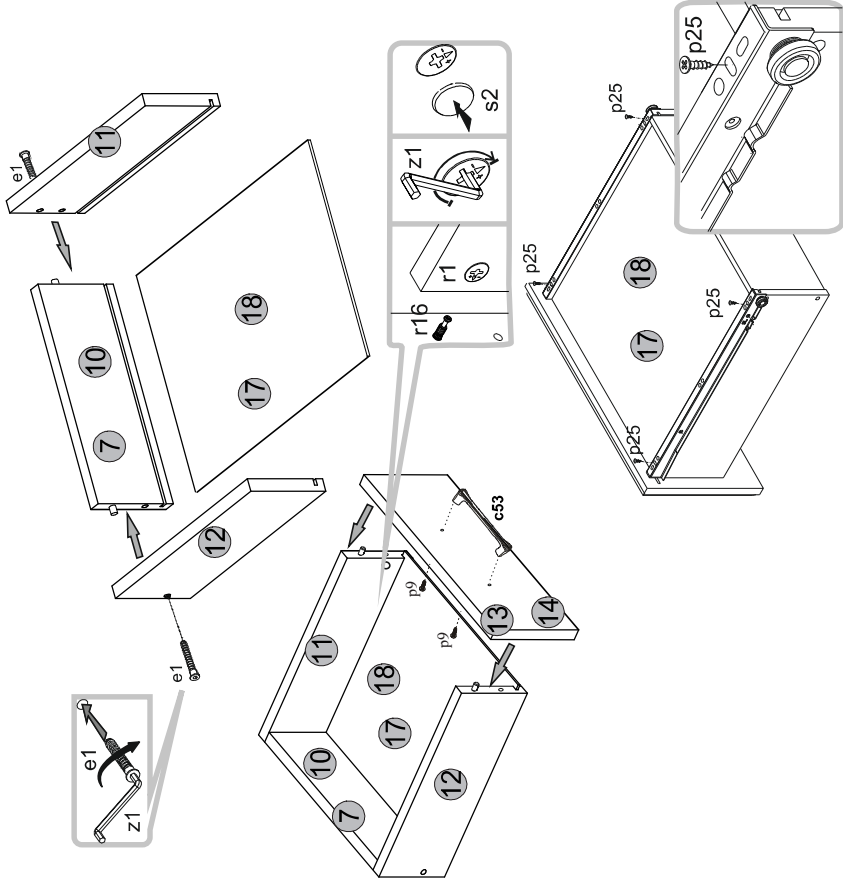
9



10



11



12

